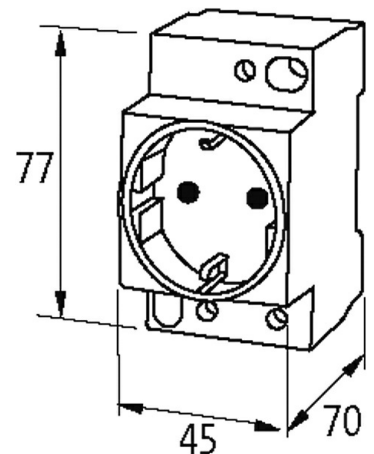


MSVD POWER SOCKET VDE

Mounting rail

Germany (VDE) white
Screw terminals**Illustration**

Product may differ from Image

Approvals

VDE

General data

Dimensions H×W×D 77×45×70 mm

Germany (VDE)

Operating voltage 250 V AC

Operating current 16 A

No. of poles 2 + PE

Connection Screw terminals: max. 2× 6 mm² (AWG 10)

Mounting method DIN-rail mountable (EN 60715)

Commercial data

country of origin BE

customs tariff number	85366990
EAN	4048879041447
eClass	27189217
Packaging unit	1